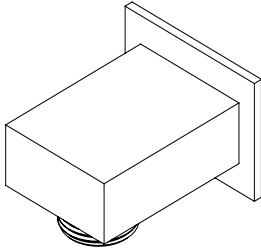
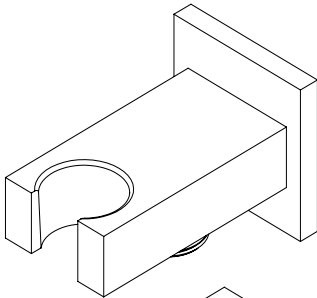


## **Square Accessories (Wall Outlet, Wall Outlet Holder and Holder)**

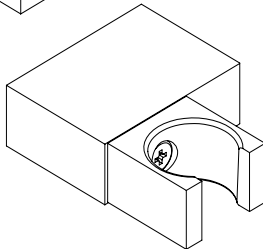
**TRITON**



**1 - 85500290 Wall Outlet**



**2 - 85500270 Wall Outlet and  
Holder**



**3 - 22013598 Wall Holder**

TRITON ALWAYS RECOMMEND THE USE OF GENUINE TRITON ACCESSORIES FOR USE WITH A TRITON SHOWER. FAILURE TO USE GENUINE TRITON PARTS MAY INVALIDATE YOUR GUARANTEE.

INSTALLERS PLEASE NOTE THESE INSTRUCTIONS ARE TO BE LEFT WITH THE USER

### 1 - WALL OUTLET 85500290 INSTALLATION

- Complete the outlet pipework ensuring it ends in an appropriate 15mm x ½" BSP female thread elbow (**fig.1**).

**Note:** This fitting is not supplied, as variations in installations require the selection of a suitable solder or compression fitting.

- Install the 'Wall Outlet', thread long male ½" bsp into the appropriate female fitting using PTFE tape to give a watertight joint.

**Note:** The thread can be cut to size if required make sure that all debris is removed from connector and the section that has been cut is dressed correctly, before installation. See (**fig.1**)

#### LEAK TESTING

Direct the outlet of the mixer to waste. Open the isolating valves to the shower and check for leaks. Remedy any leaks found.

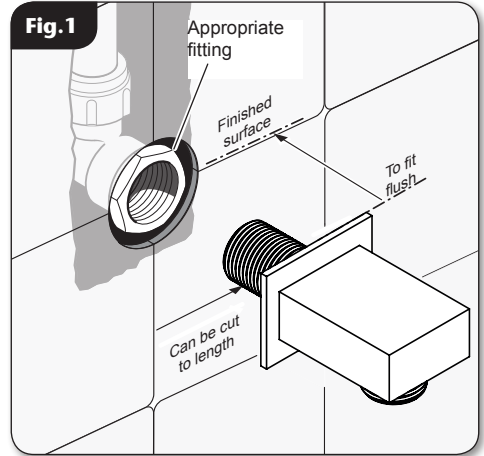
#### MAKING GOOD

Make good the wall and complete the tiling.

**IMPORTANT:** *Make sure the grout lines around the valve are flush with the tiles in order to provide a smooth sealing surface for the Wall Outlet trim.*

#### SPARES LIST

1. Wall Outlet: 85500290



### 2 - WALL OUTLET AND HOLDER 85500270 INSTALLATION

- Complete the outlet pipework ensuring it ends in an appropriate 15mm x ½" BSP female thread elbow (**fig.2**).

**Note:** This fitting is not supplied, as variations in installations require the selection of a suitable solder or compression fitting.

- Install the 'Wall Outlet and Holder', thread long male ½"bsp into the appropriate female fitting using PTFE tape to give a watertight joint.

**Note:** The thread can be cut to size if required - make sure that all debris is removed from connector and the section that has been cut is dressed correctly, before installation. See (**fig.2**)

#### LEAK TESTING

Direct the outlet of the mixer to waste. Open the isolating valves to the shower and check for leaks. Remedy any leaks found.

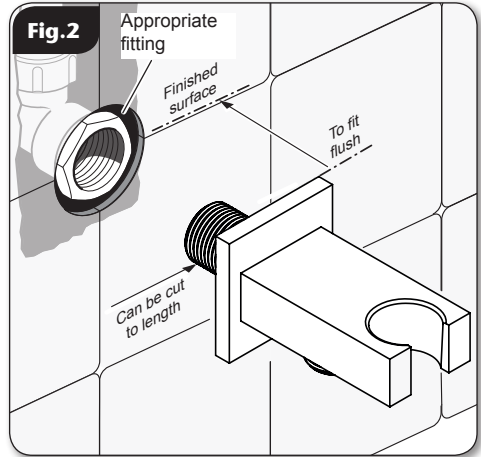
#### MAKING GOOD

Make good the wall and complete the tiling.

**IMPORTANT:** *Make sure the grout lines around the valve are flush with the tiles in order to provide a smooth sealing surface for the Wall Outlet trim.*

#### SPARES LIST

2. Wall Outlet and Holder: 85500270



### 3 - WALL HOLDER 22013598 INSTALLATION

Decide the position for the shower head holder on the wall within the bath showering area.

Proceed as follows:

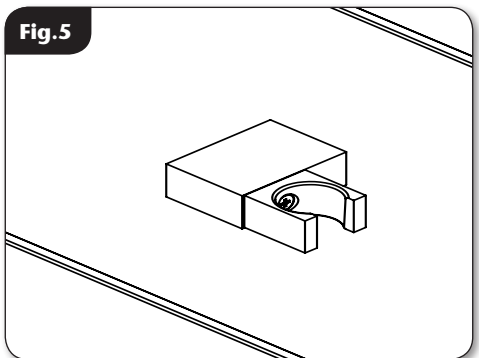
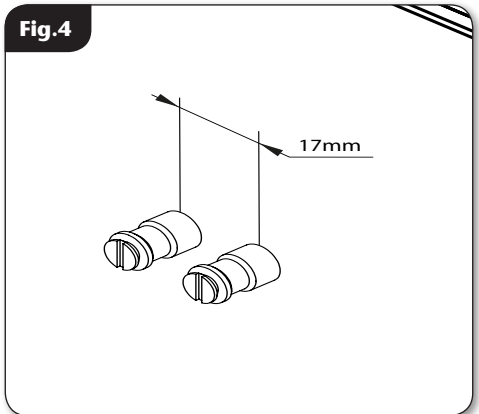
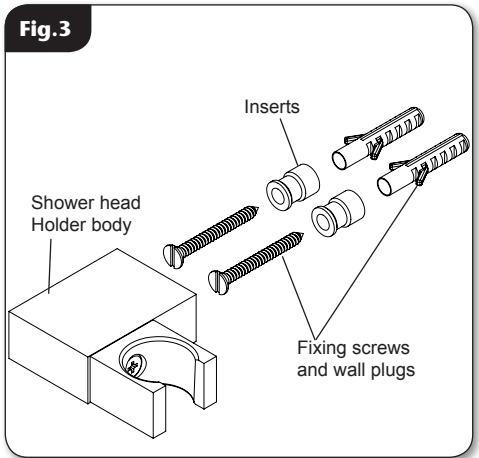
- Hold the shower head holder fixing plate in a suitable position on the wall. mark out the position of the holder. Mark the two locating holes, these are 17mm centre (**fig.4**).
- Drill and plug the wall.

(The wall plugs provided are suitable for most brick walls - Use an appropriate masonry drill, but if the wall is plasterboard or a soft building block, use special wallplugs and an appropriate drill bit).

- Slide the inserts onto the screws in the orientation as shown on(**fig.4**). Secure the inserts by tightening the screws.
- Slide the shower head holder body onto the inserts and secure by tightening the grub screw facing down. **DO NOT OVER TIGHTEN THE SCREWS.**

#### **SPARES LIST**

3. Wall holder: 22013598



INSTALLERS PLEASE NOTE THESE INSTRUCTIONS ARE TO BE LEFT WITH THE USER