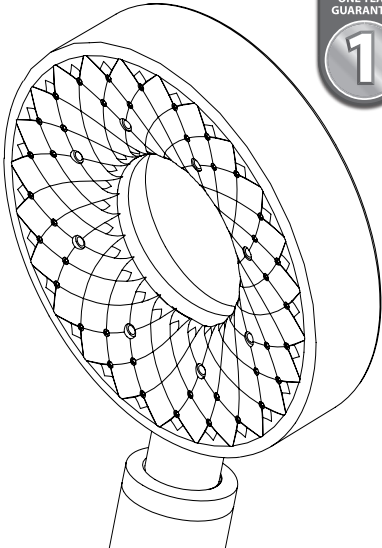


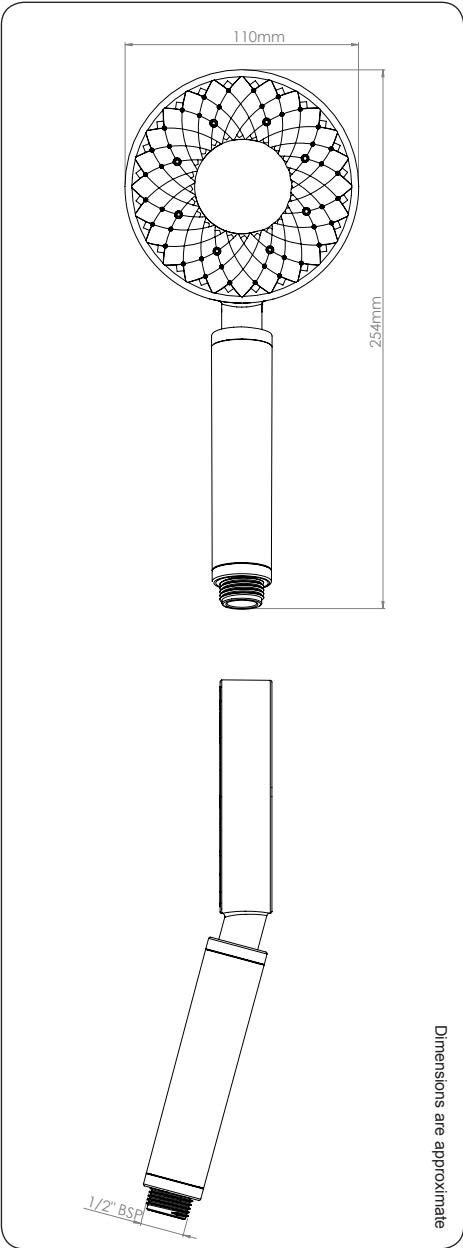
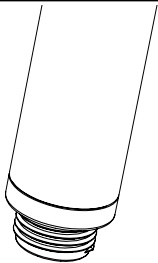
TRITON

***Iris
Single Position
Shower Head***



ONE YEAR
GUARANTEE
1

**SAFETY CRITICAL
TRITON ACCESSORY**



INSTALLERS PLEASE NOTE THESE INSTRUCTIONS ARE TO BE LEFT WITH THE USER

Iris Single Position Shower Head

INSTALLATION

Before installing the shower head, flush the pipework through to remove any debris that may be in the system.

CLEANING

Triton recommends that all products are cleaned using warm, soapy water.

DO NOT use abrasive or aggressive chemical cleaning products as this may affect the product surface and finish.

Before cleaning, turn off the unit at the mains supply to avoid the shower being accidentally switched on. The shower head may be cleaned by simply rubbing your thumb over the spray plate.

IT IS IMPORTANT TO KEEP THE SHOWER HEAD CLEAN TO MAINTAIN THE PERFORMANCE OF THE SHOWER. The

hardness of the water will determine the frequency of cleaning. For example, if the shower is used every day in a very hard water area, it may be necessary to clean the shower head on a weekly basis.

SHOWER HEAD

Fitting the correct type of shower head is critical to the safe performance of your shower, especially if you have an electric shower. Some shower heads are only suitable for use on mixer showers as the flow of water from them can be restricted or stopped completely, which can result in a build-up of potential hot water which could, under pressure, be unexpectedly released.

You can therefore, rest assured when you order a genuine Triton electric shower head that it has been fully tested for use in the UK on all electric shower types.

INSPECTING THE HOSE

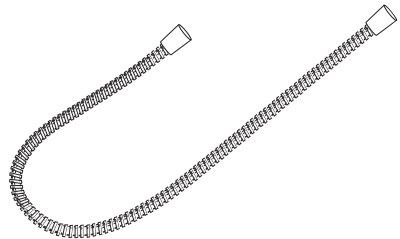
Your shower hose should be inspected from time to time for signs of damage or internal collapse.

Internal collapse can restrict the flow rate from the shower head and may cause damage to the shower, especially an electric shower.

Triton recommends use of a branded anti-twist hose on all showers to ensure continuous safe performance.

To inspect your hose:

1. Unscrew the hose from the shower head and the shower outlet.
2. Inspect the hose for damage, internal kinks, etc.
3. If necessary, replace the hose.



REPLACEMENT PART

Description

Part number

IRIS SINGLE POSITION SHOWER HEAD - WHITE / CHROME.....88500093