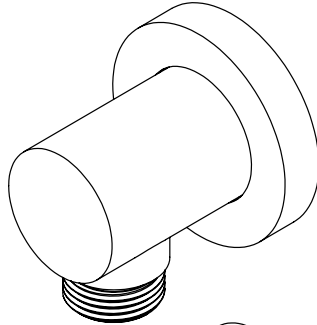
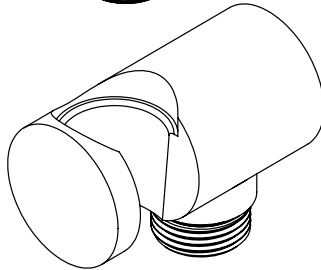


***Circular Accessories  
(Wall Outlet, Wall Outlet  
Holder and Holder.)***

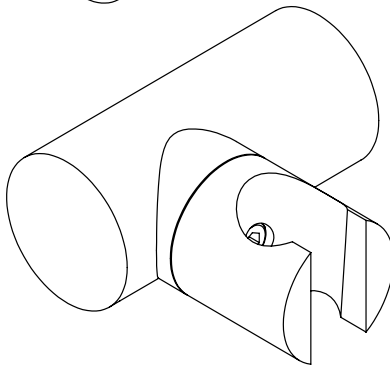
***TRITON***



***1 - 85500280 Wall Outlet***



***2 - 85500260 Wall Outlet and  
Holder***



***3 - 22013597 wall holder***

TRITON ALWAYS RECOMMEND THE USE OF GENUINE TRITON ACCESSORIES FOR USE WITH A TRITON SHOWER. FAILURE TO USE GENUINE TRITON PARTS MAY INVALIDATE YOUR GUARANTEE.

INSTALLERS PLEASE NOTE THESE INSTRUCTIONS ARE TO BE LEFT WITH THE USER

### WALL OUTLET 85500280 INSTALLATION

- Complete the outlet pipework ensuring it ends in an appropriate 15mm x ½" BSP female thread elbow (**fig.1**).

**Note:** This fitting is not supplied, as variations in installations require the selection of a suitable solder or compression fitting.

- Install the 'Wall Outlet', thread long male ½" bsp into the appropriate female fitting using PTFE tape to give a watertight joint.

**Note:** The thread can be cut to size if required - make sure that all debris is removed from connector and the section that has been cut is dressed correctly, before installation. See (**fig.1**)

#### LEAK TESTING

Direct the outlet of the mixer to waste. Open the isolating valves to the shower and check for leaks. Remedy any leaks found.

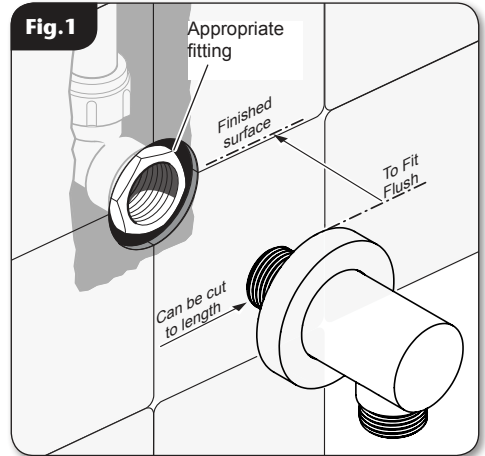
#### MAKING GOOD

Make good the wall and complete the tiling.

**IMPORTANT:** *Make sure the grout lines around the valve are flush with the tiles in order to provide a smooth sealing surface for the Wall Outlet trim.*

### SPARES LIST

1. Wall Outlet: 85500280



## WALL OUTLET AND HOLDER 85500260 INSTALLATION

- Complete the outlet pipework ensuring it ends in an appropriate 15mm x ½" BSP female thread elbow (**fig.2**).

**Note:** This fitting is not supplied, as variations in installations require the selection of a suitable solder or compression fitting.

- Install the 'Wall Outlet and Holder', thread long male ½" bsp into the appropriate female fitting using PTFE tape to give a watertight joint.

**Note:** The thread can be cut to size if required - make sure that all debris is removed from connector and the section that has been cut is dressed correctly, before installation. See (**fig.2**)

### LEAK TESTING

Direct the outlet of the mixer to waste. Open the isolating valves to the shower and check for leaks. Remedy any leaks found.

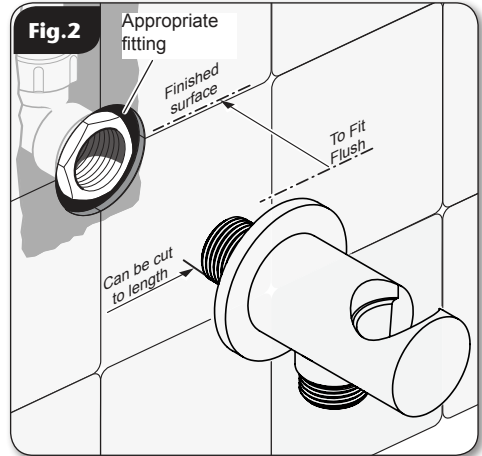
### MAKING GOOD

Make good the wall and complete the tiling.

**IMPORTANT:** *Make sure the grout lines around the valve are flush with the tiles in order to provide a smooth sealing surface for the Wall Outlet trim.*

### SPARES LIST

2. Wall Outlet and Holder: 85500260



### WALL HOLDER 22013597 INSTALLATION

Decide the position for the shower head holder on the wall within the bath showering area.

Proceed as follows:

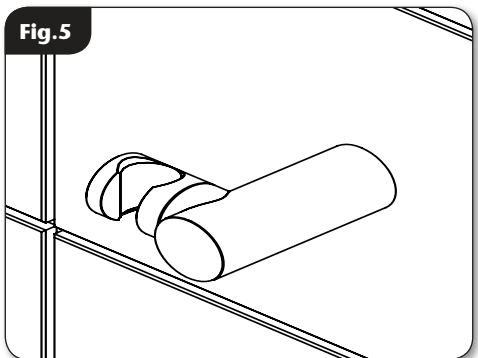
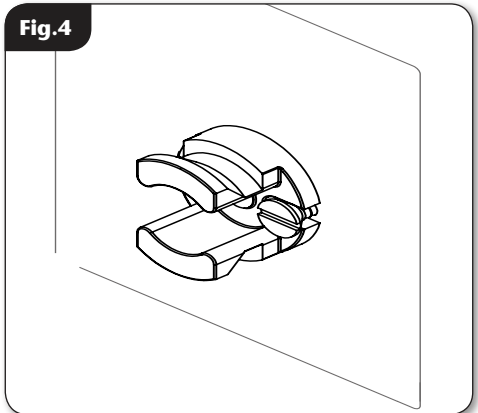
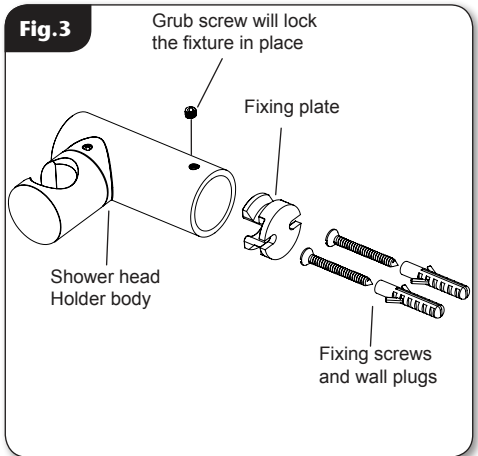
- Hold the shower head holder fixing plate in a suitable position on the wall. Using the plate as a template, mark the two locating holes.
- Drill and plug the wall.

(The wall plugs provided are suitable for most brick walls - Use an appropriate masonry drill, but if the wall is plasterboard or a soft building block, use special wallplugs and an appropriate drill bit).

- Replace the fixing plate and secure using the fixing screws supplied (**fig.4**).
- Slide the shower head holder body onto the fixing plate and secure by tightening the grub screw facing down. DO NOT OVER TIGHTEN THE SCREWS

### SPARES LIST

3. Wall Holder: 22013597



INSTALLERS PLEASE NOTE THESE INSTRUCTIONS ARE TO BE LEFT WITH THE USER