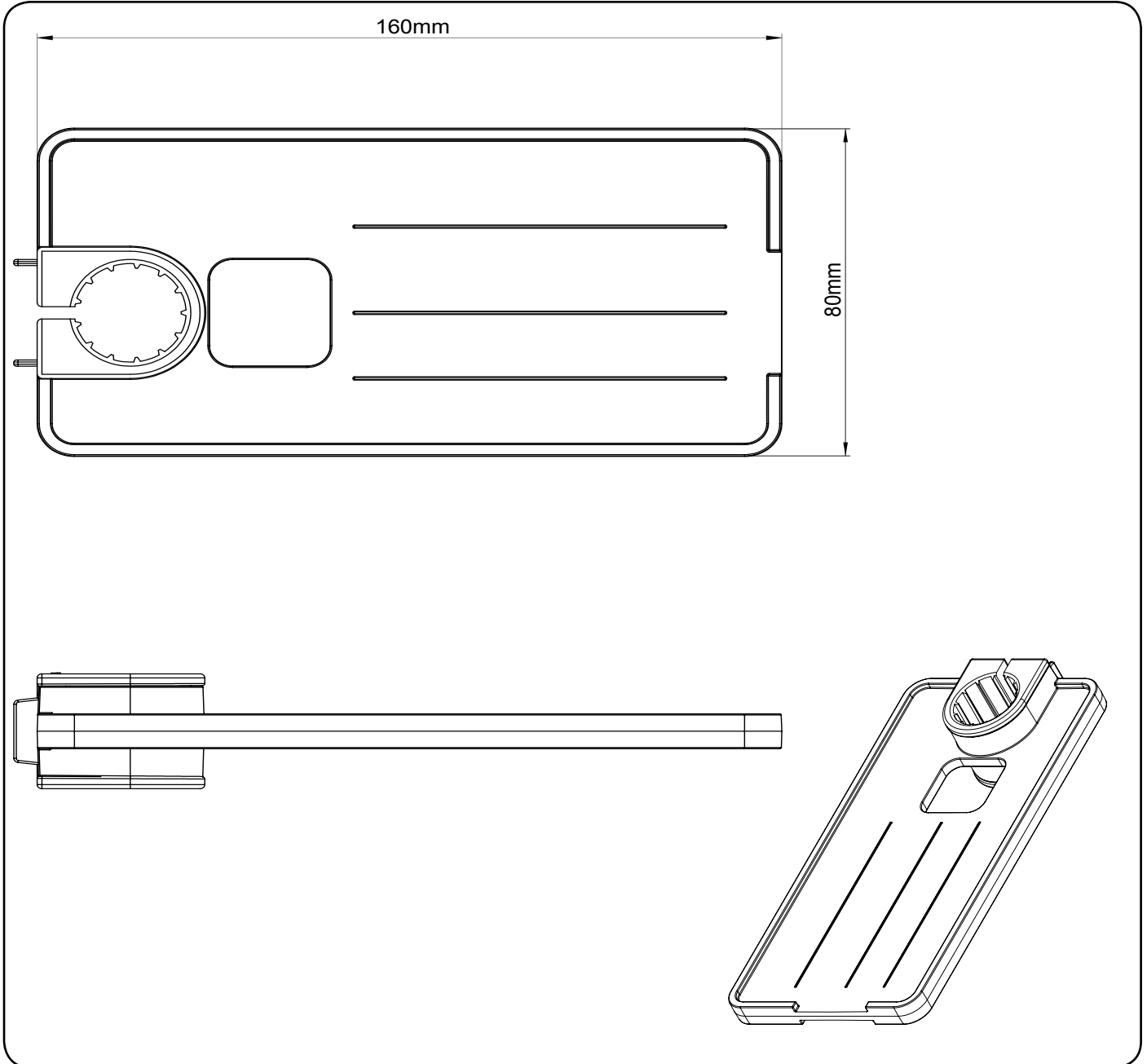


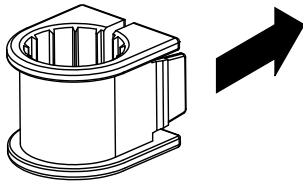
CLIP ON TRAY



Installation Instructions

INSTALLERS PLEASE NOTE THESE INSTRUCTIONS ARE TO BE LEFT WITH THE USER

Fig.1



INTRODUCTION

Please read these instructions carefully before beginning your installation.

Important: This tray has been designed to fit 19mm and 22mm riser rails. To fit the tray, clip the collet on to the rail ensuring the collet is securely fixed in place as shown in **(fig 1/1a)**.

Push the tray onto the collet **(fig 2)**.

CLEANING

Triton recommends that all products are cleaned using warm,soapy water. Do not use abrasive or aggressive chemical cleaning products as this may affect the product surface finish and invalidate your guarantee.

For use on all Triton 19mm and 22mm rails. Maximum weight limit 1Kg.

Note: Care must be taken when using pumped bottles.

Fig.1a

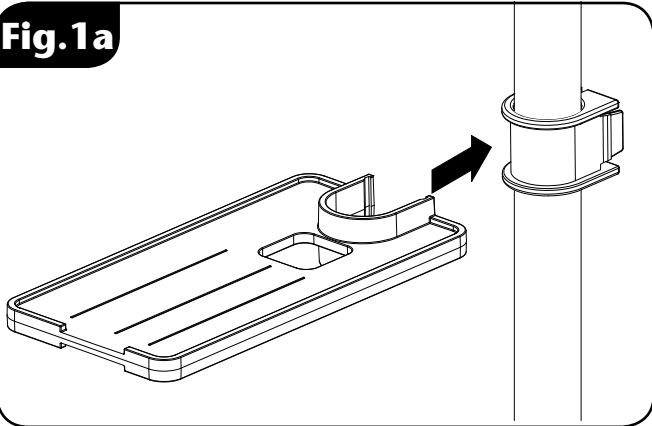
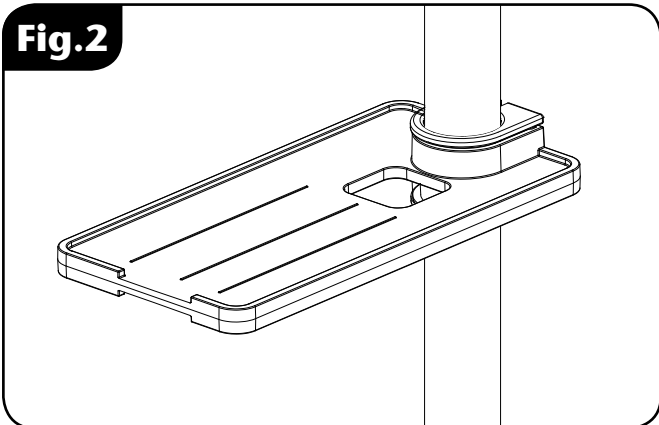


Fig.2



SPARE PARTS

<i>Ref.</i>	<i>Description</i>	<i>Part number</i>
1.	Bottle tray.....	7054946
2.	Collet 19mm	7054943
3.	Collet 22mm	7054944

Please refer to shower installation and operating instructions for service details. E&OA.